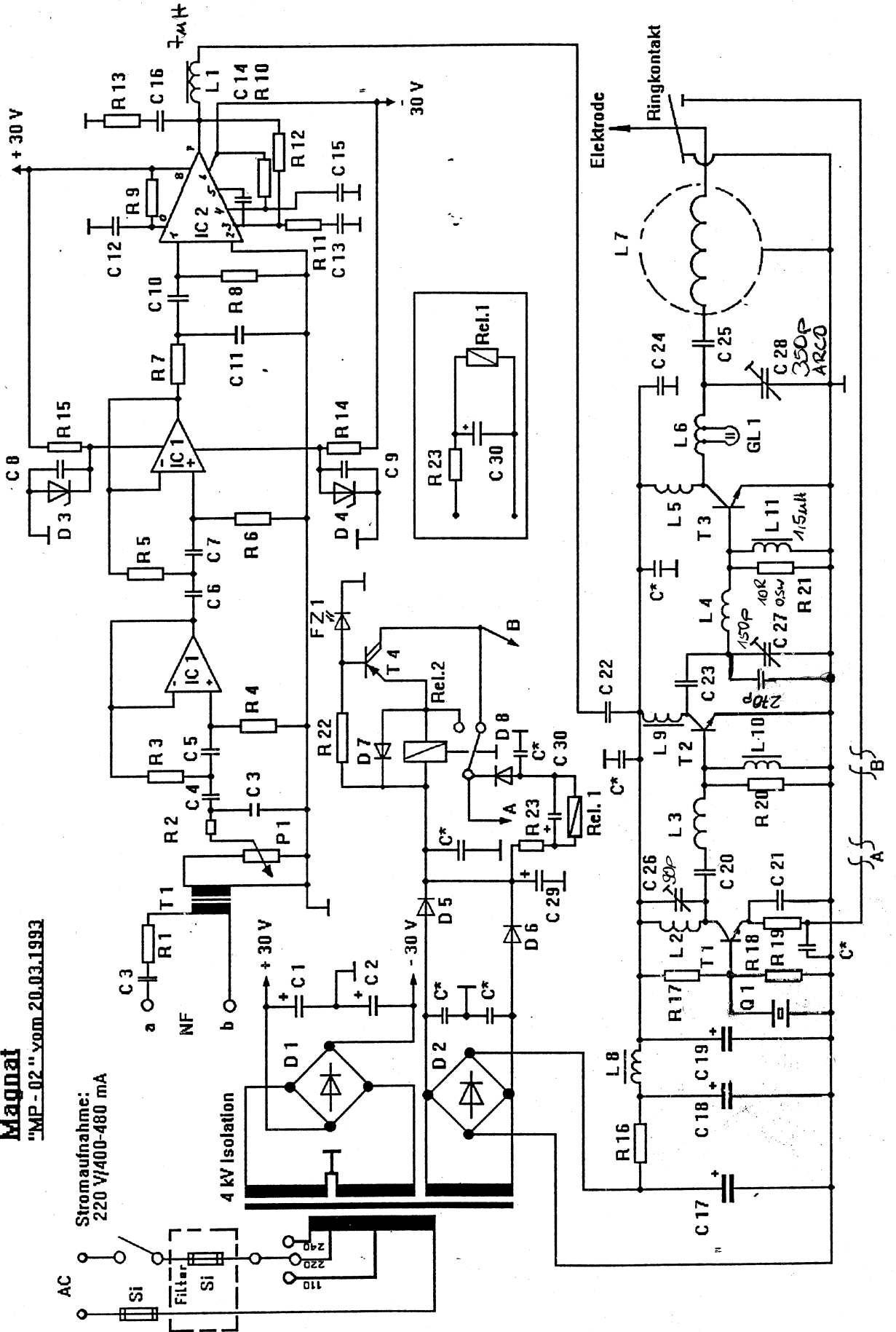


Magnet

"MP-02" vom 20.03.1993

Stromaufnahme:
220 V/400-480 mA



Stückliste "MP - 02"

Pos. Nr.:

R 1 = 200 R
 R 2 = 1 k
 R 3 = 8,87 k
 R 4 = 10,5 k
 R 5 = 3,65 k
 R 6 = 15,5 k
 R 7 = 1 k
 R 8 = 10 k
 R 9 = 100 R / 0,5 W
 R 10 = 100 R / 0,5 W
 R 11 = 3,3 k
 R 12 = 33 k
 R 13 = 10 R / 1 W
 R 14 = 1,5 k / 0,5 W
 R 15 = 1,5 k / 0,5 W
 R 16 = 0,5 R / 5 W
 R 17 = 8,2 k *6,8k*
 R 18 = 8,2 k *6,8k*
 R 19 = 150 R / 2 W
 R 20 = 100 R
 R 21 = 10 R / 0,5 W
 R 22 = 390 k
 R 23 = 30 R / 1 W
 IC 1 = TL 072/082
 IC 2 = STK 086
 T 1 = 2 SC 1957
 T 2 = 2 SC 1306/ECG 235
 T 3 = PT 9783
 T 4 = BC 5166

Pos. Nr.:

C 1 = 4700 μ F / 35 V
 C 2 = 4700 μ F / 35 V
 C 3 = 1 μ F / 35 V
 C 4 = 3,3 nF / 2,5 %
 C 5 = 3,3 nF / 2,5 %
 C 6 = 3,3 nF / 2,5 %
 C 7 = 3,3 nF / 2,5 %
 C 8 = 47 μ F / 25 V
 C 9 = 47 μ F / 25 V
 C 10 = 0,1 μ F
 C 11 = 470 pF
 C 12 = 100 μ F / 40 V
 C 13 = 4,7 μ F / 25 V
 C 14 = 2,2 pF
 C 15 = 100 μ F / 40 V
 C 16 = 0,1 μ F
 C 17 = 6800 μ F / 35 V
 C 18 = 6800 μ F / 35 V
 C 19 = 6800 μ F / 35 V
 C 20 = 56 pF
 C 21 = 100 pF *160pF*
 C 22 = 10 μ F / 40 V
 C 23 = 100 pF / 3 kV
 C 24 = 10 nF
 C 25 = 100 pF / 6 kV
 C 26 = Trimmer / 90 pF
 C 27 = Trimmer / 150 pF
 C 28 = Trimmer / 350 pF
 C 29 = 47 μ F / 40 V
 C 30 = 1000 μ F / 40 V
 C * = 6,8-8,2 nF / 250V

Pos. Nr.:

P 1 = 10 k / log.
 D 1 = B 80 C 3300
 D 2 = 4 x ECG 5812
 D 3 = ZPY 15
 D 4 = ZPY 15
 D 5 = 1 N 4007
 D 6 = 1 N 4007
 D 7 = 1 N 4007
 D 8 = 1 N 4007
 Rel. 1 = Hammerrelais
 Rel. 2 = 24 V/Kammrelais
 GL. 1 = Glimmlampe
 FZ. 1 = Fotozelle TIL 78
 L 1 = 7 μ H *Drahtstärke*
 L 2 = 9 Wdg / 8 mm *0,9mm \varnothing*
 L 3 = 5 Wdg / 8 mm *1,3mm \varnothing*
 L 4 = 6 Wdg / 8 mm *1,3mm \varnothing*
 L 5 = 12 Wdg / 16 mm *1,3*
 L 6 = 5 Wdg / 16 mm *1,3*
 L 7 = Resonatorspule
 L 8 = 1 mH / 5 A
 L 9 = 1,5 μ H / Drossel
 L 10 = 4,7 μ H / Drossel
 L 11 = 1,5 μ H / Drossel
 Si. 1 = 3,15 A/T
 Si. 2 = 3,15 A/T

Alternative für T2

2SC 2166

* 2SC 2312

Stand: 20.03.1993

Alternative T3

TH 416 *größeres Gehäuse*